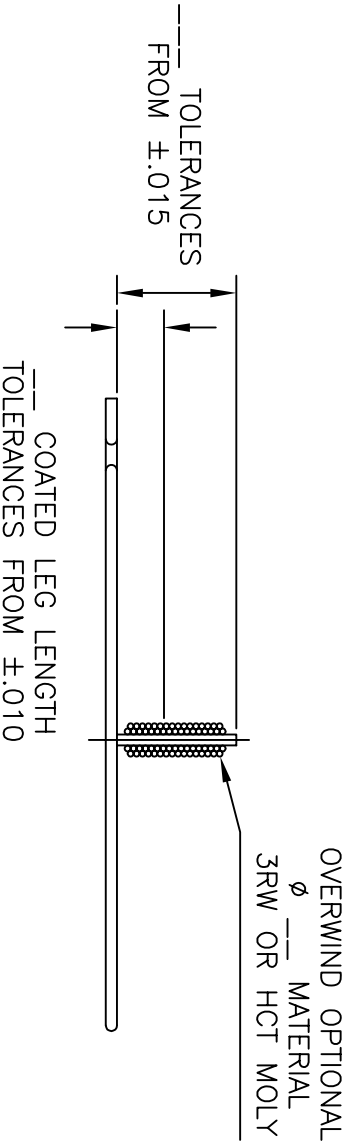
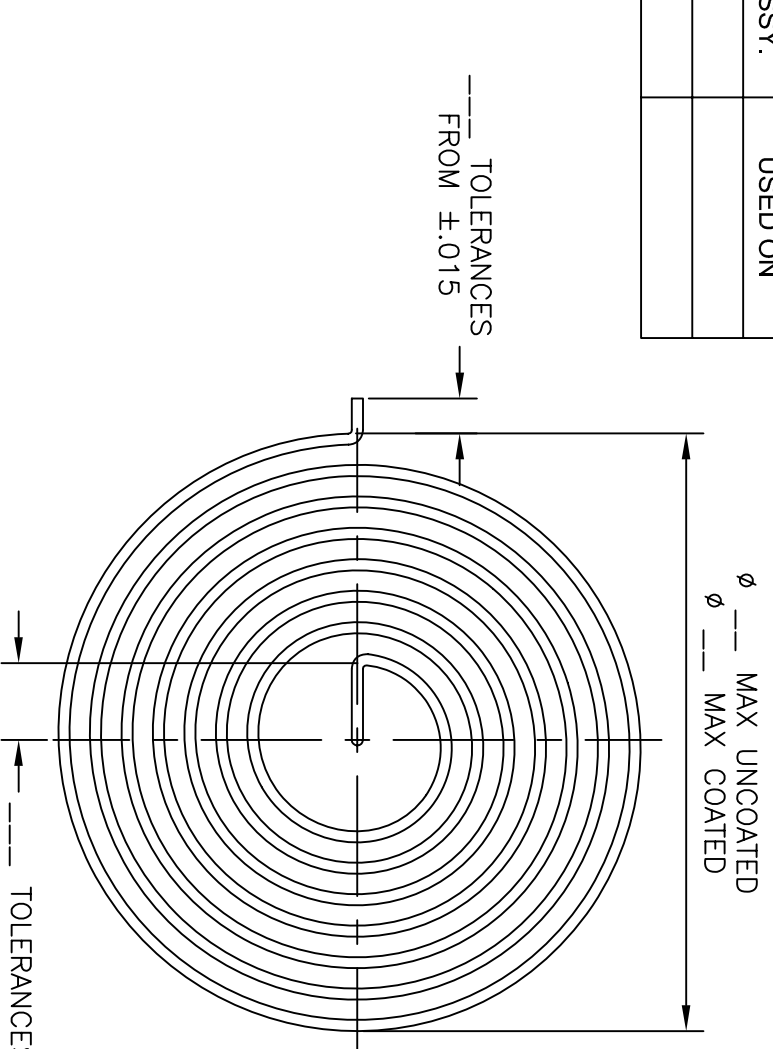


NEXT ASSY.	USED ON



- NOTES
1. WIRE DIAMETER ----- ±1%
 2. MATERIAL TYPE -----
 3. NUMBER OF TURNS -----
 4. BURNING LENGTH -----
 5. TOTAL WIRE LENGTH -----
 6. COLD RESISTANCE @ 25°C -----
 7. TOLERANCES FROM ±3% -----
 8. AVAILABLE COATED IN ALUMINA OR UNCOATED
 9. COATED WIRE DIAMETER
 10. TOLERANCES FROM ±.00025
 11. MINIMUM SPACING
 12. AFTER COATING

SCALE	NONE		TITLE	FLAT SPIRAL - SINGLE HELICAL	
DR. BY	DATE	DATE	MAT'L	SEE NOTES	
CH. BY	DATE	DATE	ALL DIMENSIONS IN INCHES UNLESS OTHERWISE NOTED	STANDARD TOLERANCES	
APR. BY	DATE	DATE	1PL ±.1	2PL ±.02	ANG ±1/2°
			3PL ±.005		SUR ✓
REV.	DATE	CHANGE	UNION CITY FILAMENT CORP. 1039A HOYT AVE, RIDGEFIELD, NJ 07657 201-945-3366		
			SIZE	A DWG #	