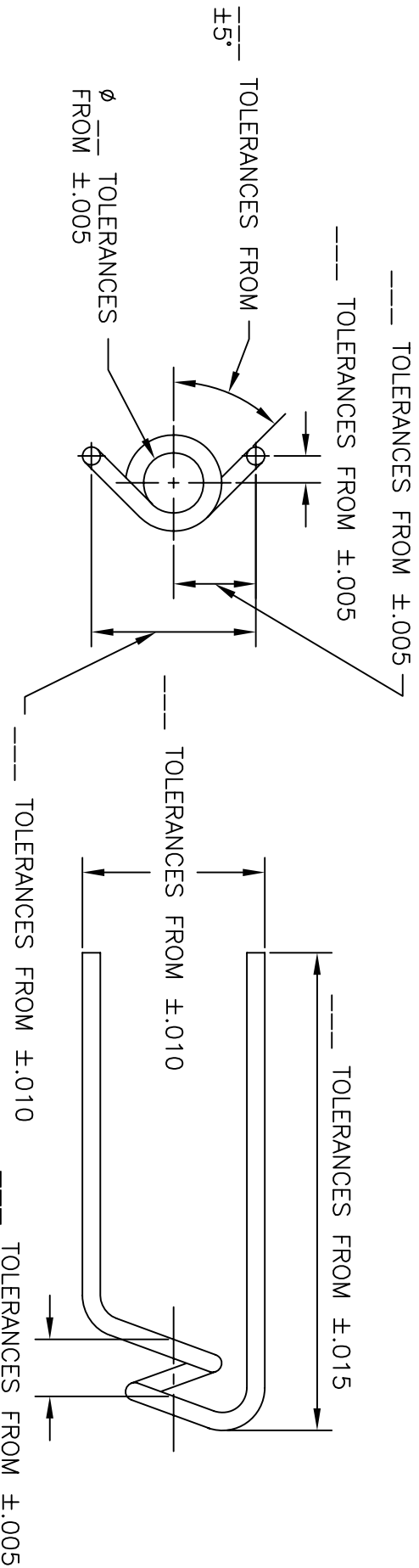


NEXT ASSY.	USED ON



- NOTES
1. WIRE DIAMETER ----- ±1.5%
 2. MATERIAL TYPE -----

	SCALE	NONE	TITLE	UNION CITY FILAMENT CORP.
	DR. BY	DATE	SOURCE FILAMENT	1039A HOYT AVE, RIDGEFIELD, NJ 07657
	CH. BY	DATE	MAT'L	201-945-3366
	APR. BY	DATE	SEE NOTES	
REV.	DATE	CHANGE	ALL DIMENSIONS IN INCHES UNLESS OTHERWISE NOTED	
			STANDARD TOLERANCES	
			FRACTION	
			1PL ±.1	
			2PL ±.02	
			3PL ±.005	
			ANG SUR	±1/2°
				✓
			SIZE	A
			DWG #	