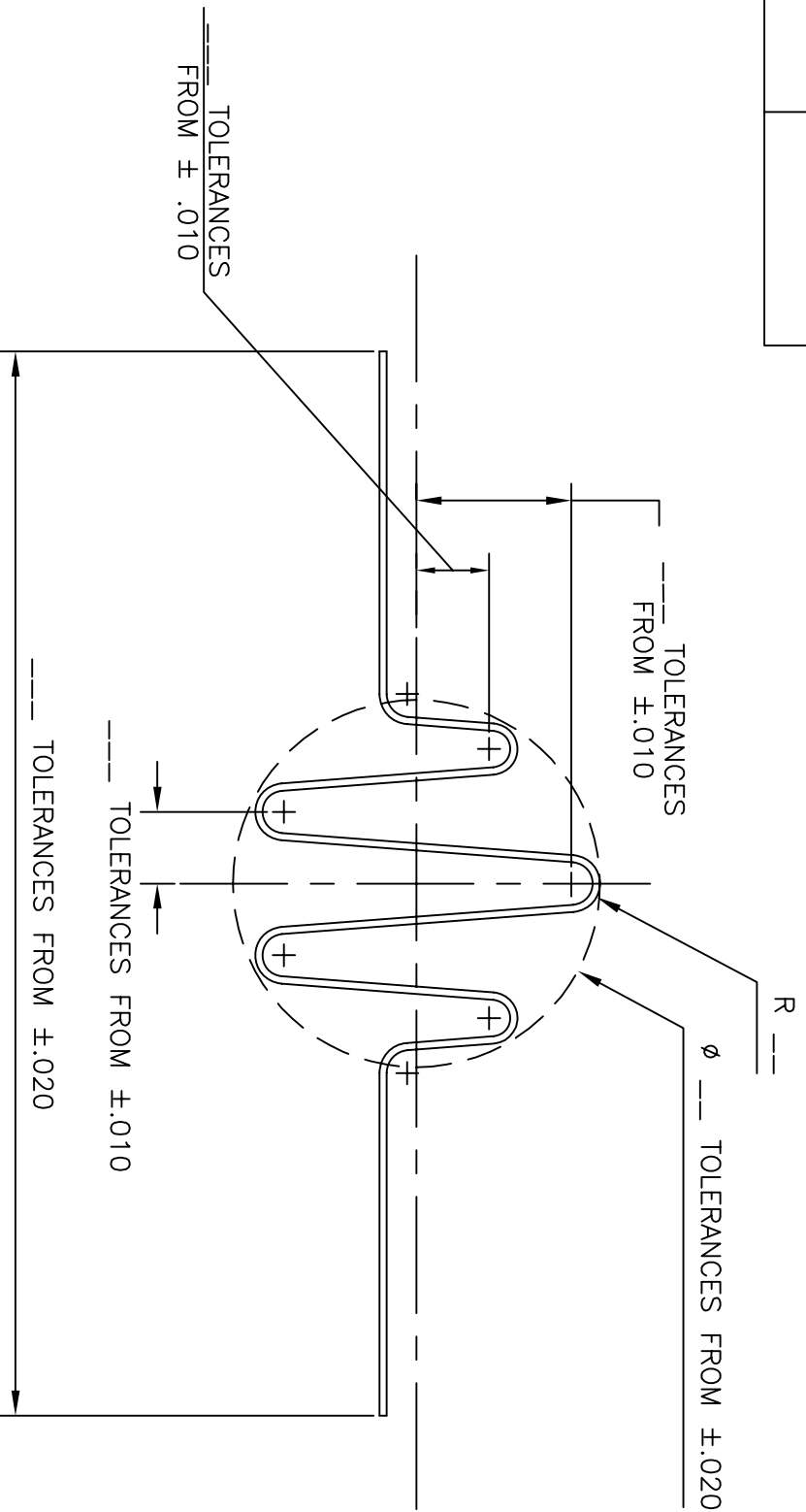


NEXT ASSY.	USED ON



- NOTES
1. WIRE DIAMETER ----- $\pm 1.5\%$
 2. MATERIAL TYPE -----
 3. NUMBER OF TURNS -----

		SCALE	NONE	TITLE	FILAMENT			
		DR. BY	DATE	MAT'L				
		CH. BY	DATE	SEE NOTES				
		APR. BY	DATE	ALL DIMENSIONS IN INCHES UNLESS OTHERWISE NOTED	STANDARD TOLERANCES			
				1PL	FRACTION ±.1/64 ±.1	2PL	±.02	ANG ±1/2°
				3PL	±.005			SUR \sqrt{R}
REV.	DATE	CHANGE						

UNION CITY FILAMENT CORP.
 1039A HOYT AVE, RIDGEFIELD, NJ 07657
 201-945-3366

SIZE **A**
 DWG #